

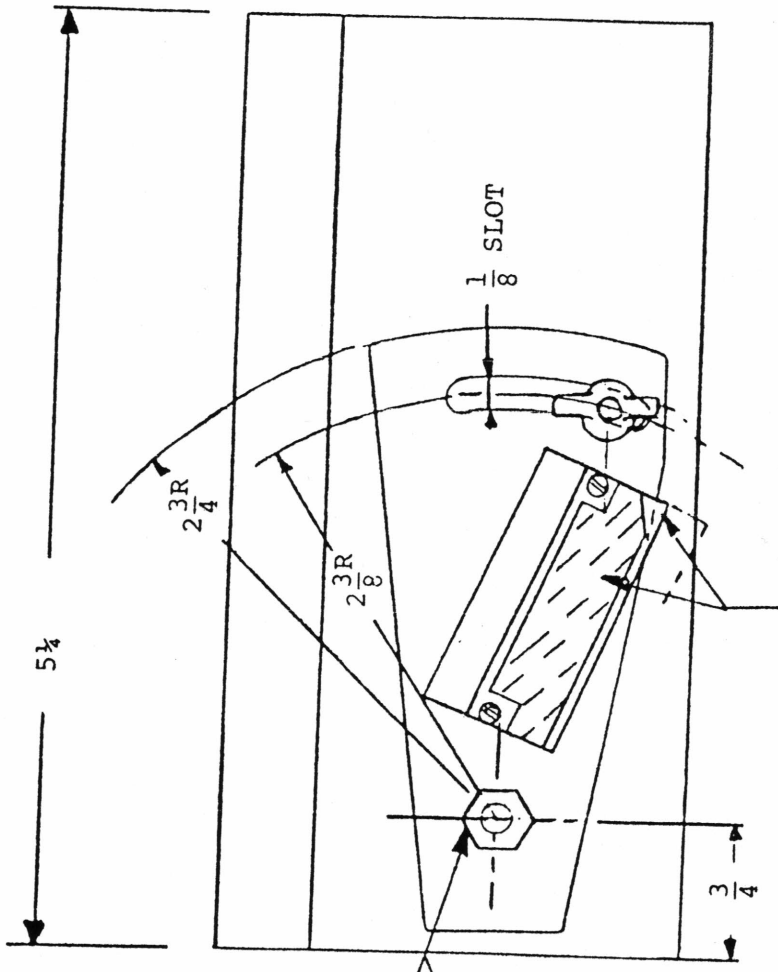
Dear Pete:- 1984 was a very interesting year for me, I became interested in marquetry, learned some things and picked up a few tricks the hard way at 102½, but I was indeed fortunate and very grateful to you Pete that you gave me much help and data to get me through the rough spots. In fact your article from Fine Woodworking magazine "How to Mount Marquetry" was written so excellently I could follow word for word. Your home made veneer trimmer is an excellent trimmer but forgive me for trying to use my brain to design a unit that does not rock. What troubled me the most was the flexibility of the damn blade used with irregular grain veneer, it bends like a rubber flagpole in a tornado. I feel that the brass stiffener glued to the blade really did the trick. The 150 cutting angle standard marquetry procedure works well.

Herbert Horn #2255 WI

Editor's Note:

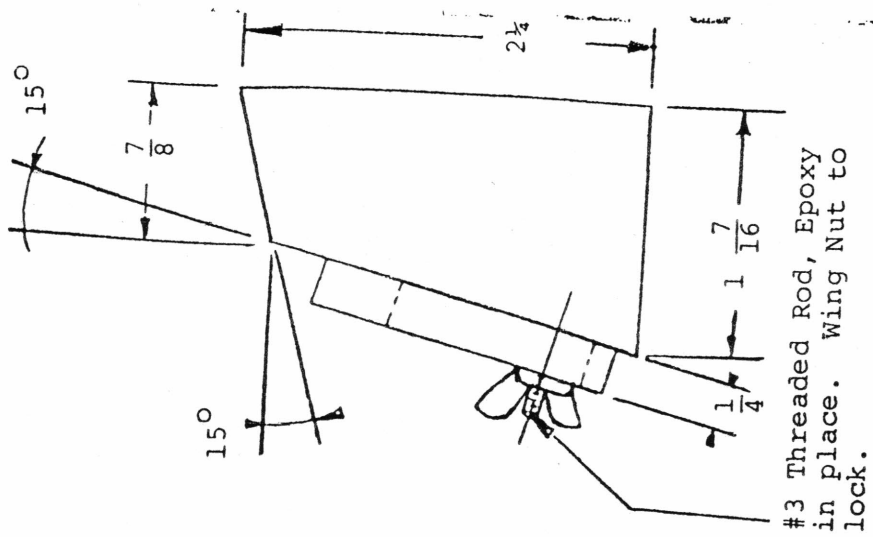
God Bless you Herb or should I say God has blessed you! I keep saying to myself 102½, 102½, 102½ and to live a long life, keeping active will help.

Use 3M 5 min. Epoxy



1/8 Threaded Rod, Epoxy.
Two Threaded Nuts, one acts as a Lock Nut

Full Size
Herb Horn



#3 Threaded Rod, Epoxy in place. Wing Nut to lock.

1/32 Metal Shim, Epoxy to opposite side of Blade or Recess Blade to lie flush. This will add stiffness to cutting edge corner.