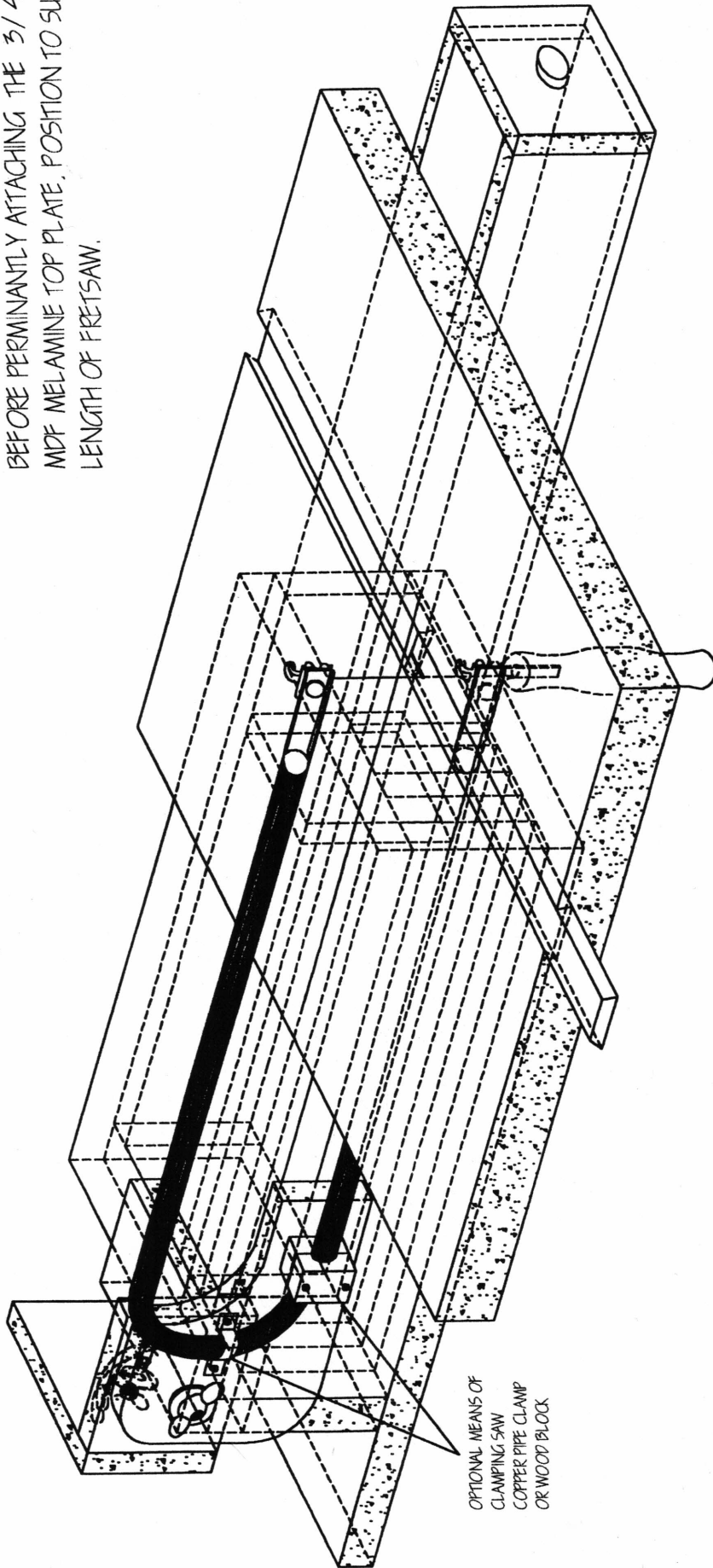


599
(3 pg)

NOTE:1

FIT FRETSAW TO THE SWING ARM AND ALIGN THE BLADE TO THE CENTER OF THE 5/8" HOLE BEFORE PERMANANTLY ATTACHING THE 3/4" MDF MELAMINE TOP PLATE, POSITION TO SUIT LENGTH OF FRETSAW.

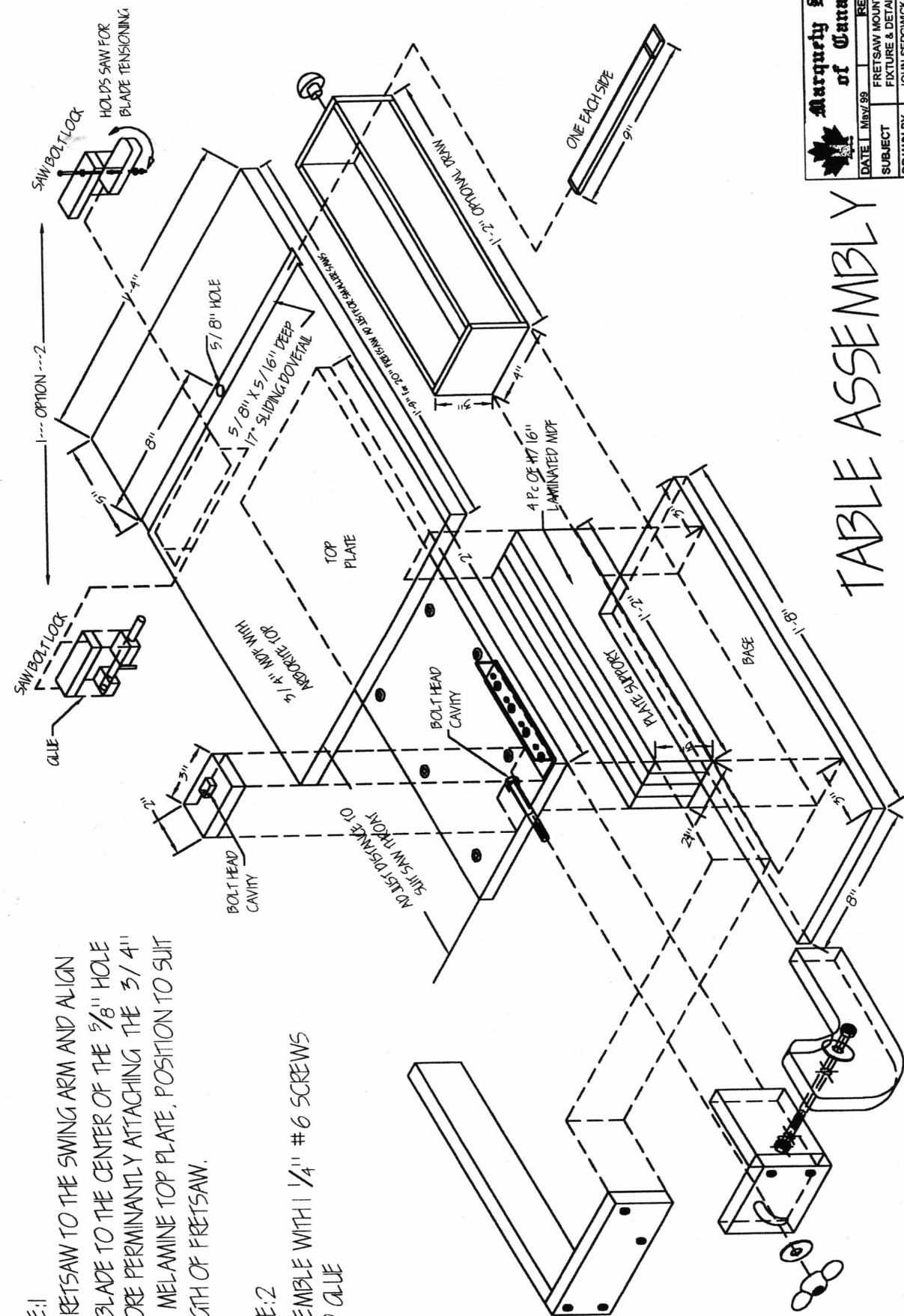


OPTIONAL MEANS OF
CLAMPING SAW
COPPER PIPE CLAMP
OR WOOD BLOCK

NOTE:2
ASSEMBLE WITH 1" #6 SCREWS
AND GLUE

Marquety Society
of Canada

DATE	May 99	REV.	March 7 02
SUBJECT	FRETSAW MOUNTING FIXTURE & DETAILS		
DRAWN BY	JOHN SEDGWICK		



NOTE:1
 FIT FRETSAW TO THE SWING ARM AND ALIGN THE BLADE TO THE CENTER OF THE 5/8" HOLE BEFORE PERMANENTLY ATTACHING THE 3/4" MDF MELAMINE TOP PLATE. POSITION TO SUIT LENGTH OF FRETSAW.

NOTE:2
 ASSEMBLE WITH 1/4" #6 SCREWS AND GLUE

TABLE ASSEMBLY

